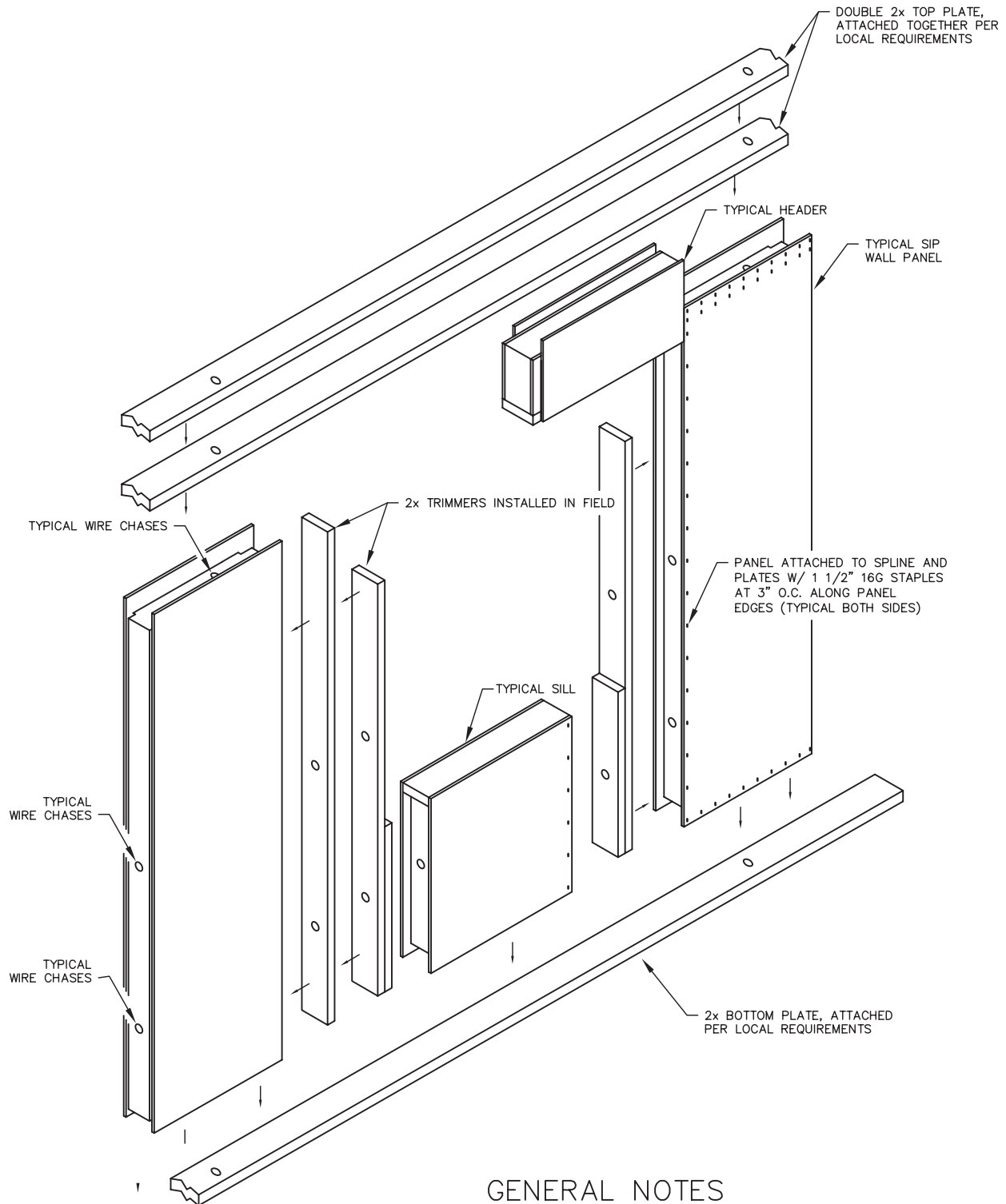




**SPANELS**  
STRUCTURAL PANEL SYSTEMS

# TYPICAL HEADER AND SILL TO WALL PANEL

1/2" = 1'-0"



## GENERAL NOTES

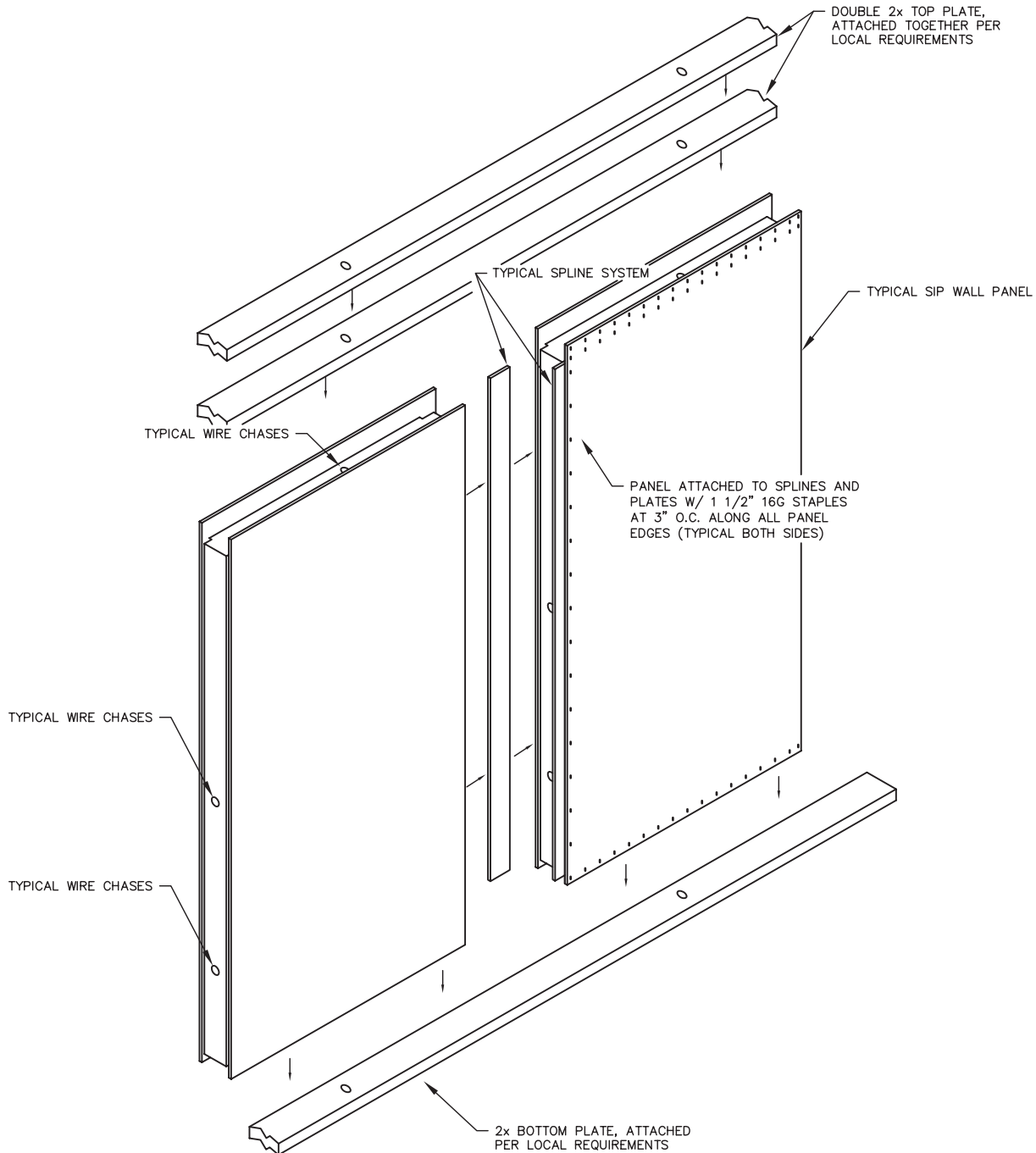
- ALTHOUGH EXPANDABLE FOAM SEALANT IS NOT REQUIRED, IT IS HIGHLY RECOMMENDED AT ALL 2x STUDS TO OSB CONNECTIONS, 2x STUDS TO EPS, PANEL TO BOTTOM PLATE, AND TOP PLATES TO PANEL.
- ALL FASTENER SPACING CALLED OUT IS A MINIMUM. PANELS MUST BE ATTACHED PER THE APPROVED ENGINEERED PLANS SHEARWALL SCHEDULE TO MEET LOCAL REQUIREMENTS.

Drawn by LCP



# TYPICAL PANEL TO PANEL CONNECTION

1/2" = 1'-0"



## GENERAL NOTES

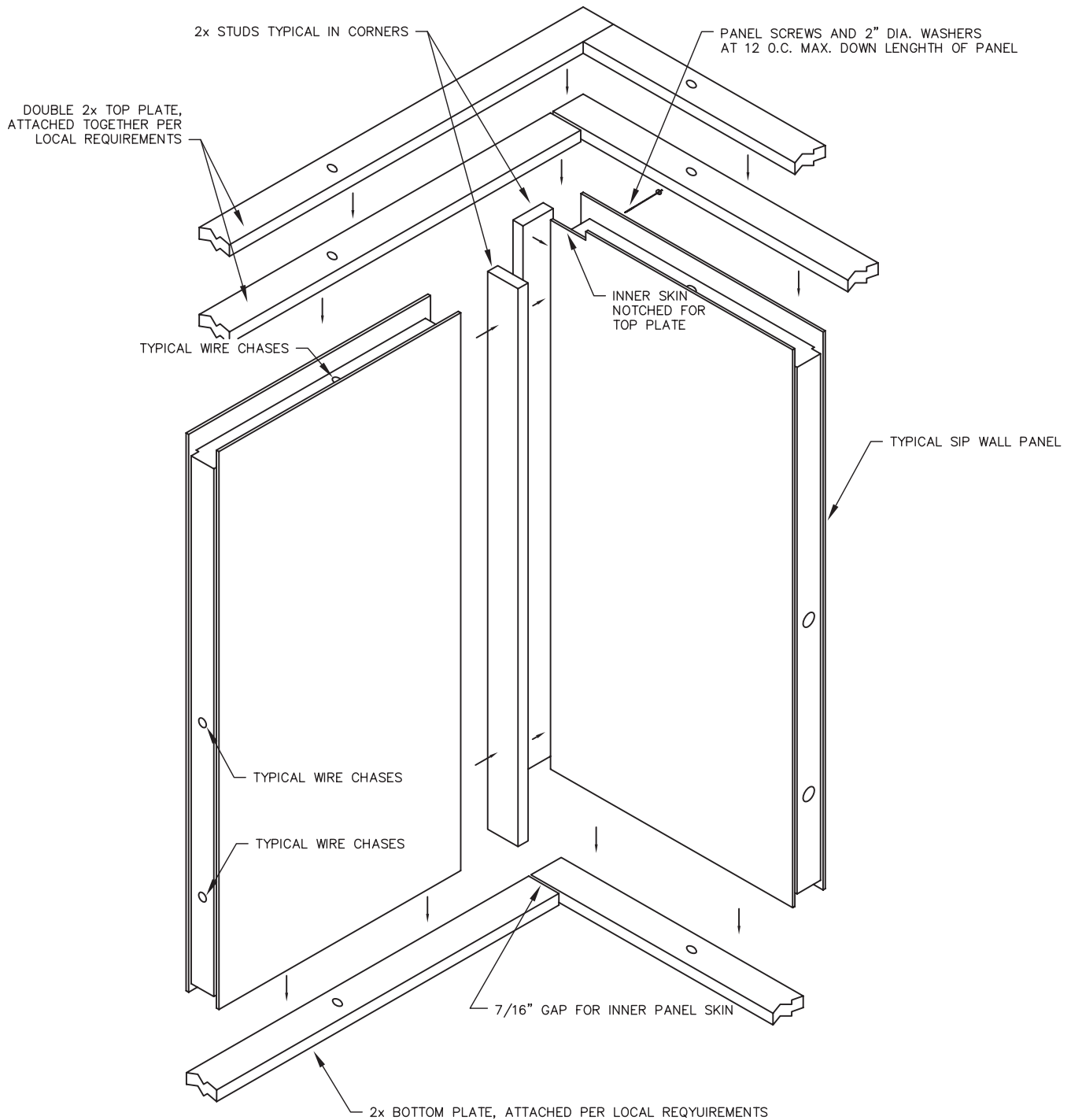
- ALTHOUGH EXPANDABLE FOAM SEALANT IS NOT REQUIRED, IT IS HIGHLY RECOMMENDED AT ALL 2x STUDS TO OSB CONNECTIONS, 2x STUDS TO EPS, PANEL TO BOTTOM PLATE, AND TOP PLATES TO PANEL.
- ALL FASTENER SPACING CALLED OUT IS A MINIMUM. PANELS MUST BE ATTACHED PER THE APPROVED ENGINEERED PLANS SHEARWALL SCHEDULE TO MEET LOCAL REQUIREMENTS.

Drawn by LCP



# TYPICAL CORNER

1/2" = 1'-0"



## GENERAL NOTES

- ALTHOUGH EXPANDABLE FOAM SEALANT IS NOT REQUIRED, IT IS HIGHLY RECOMMENDED AT ALL 2x STUDS TO OSB CONNECTIONS, 2x STUDS TO EPS, PANEL TO BOTTOM PLATE, AND TOP PLATES TO PANEL.
- ALL FASTENER SPACING CALLED OUT IS A MINIMUM. PANELS MUST BE ATTACHED PER THE APPROVED ENGINEERED PLANS SHEARWALL SCHEDULE TO MEET LOCAL REQUIREMENTS.

Drawn by LCP